

HELPING the human EYE.

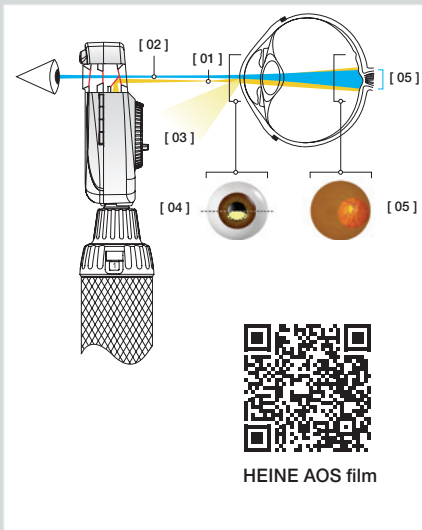




HEINE Direct Ophthalmoscopes



	BETA 200S	BETA 200	BETA 200 M2	K180 Opt. 1	K180 Opt. 2	mini 3000
Optical System	Aspherical	Aspherical		Conventional		Conventional
Illumination	XHL or LED ^{HQ}	XHL or LED ^{HQ}	XHL	XHL		XHL or LED ^{HQ}
Apertures						
Corrective lenses	- 36 to +38 D, 74 single diopter steps, 28 Lenses	- 35 to +40 D, 27 diopter steps, 27 Lenses		- 35 to +40 D, 27 diopter steps, 27 Lenses		- 20 to +20 D, 18 diopter steps, 18 Lenses
Dust protection	Dustproof	Dustproof		Dust protected		Dust protected
Frame system made of	Aluminium	Aluminium		Plastic		Plastic
Instrument size	Professional	Professional		Professional		Compact
Handle options / power sources	<ul style="list-style-type: none"> • Battery handle • USB rechargeable handle • Rechargeable handle with table charger • EN 200 / EN 200-1 	<ul style="list-style-type: none"> • Battery handle • USB rechargeable handle • Rechargeable handle with table charger • EN 200 / EN 200-1 		<ul style="list-style-type: none"> • Battery handle • USB rechargeable handle • Rechargeable handle with table charger • EN 200 / EN 200-1 		<ul style="list-style-type: none"> • Battery handle • Rechargeable handle with table charger
Catalogue page	043	045		048		050



“Aspherical Optical System” (AOS) exclusively from HEINE eliminates corneal and iris reflexes to provide large, crisp and glare-free fundus images.

- [01] Flat, elliptical illumination beam produced by HEINE’s Aspherical Optical System.
- [02] Observation path.
- [03] Redirected iris and corneal reflexes.
- [04] The elliptical light beam enters through the lower half of the cornea. The illumination beam has been separated from the observation beam (Gullstrand-Principle). All reflexes are diverted away from the observation beam due to the curvature of the reflective cornea. Due to the flat, compressed form of the light beam, a maximum amount of light enters through the pupil.
- [05] Once past the anterior chamber, the light beam opens up dramatically to illuminate a large area of the retina.

HEINE BETA® 200S LED Ophthalmoscope

Superior aspherical optics with LED^{HQ} illumination



Exclusive dustproof design protects the precision optical components and ensures maintenance-free operation. The BETA 200/200S Ophthalmoscopes are the only instruments with an aluminum frame system. Optical components are flush-mounted on a cast aluminum frame, eliminating misalignment and making the instrument shock-resistant. The BETA 200S LED has virtually unlimited hours of working life. No need to ever replace bulbs. Maintenance-free for a lifetime.

- ⚡ **Exclusive Aspherical Optical System (AOS).**
- ⚡ **There’s LED. And there’s LED^{HQ}.** HEINE has set a new standard which maintains that only the best is good enough, from the selection of materials to processing, from light intensity to dimmability, and from thermal management to a colour rendering index as high as possible. **That’s what we call LED in HEINE Quality – or LED^{HQ}.**
- ⚡ **Special optical interface to precisely integrate the LED illumination with the optical system** to ensure bright, homogeneous light during examinations.
- ⚡ **The BETA 200S Ophthalmoscope** accommodates higher refractive errors with a **28 single lenses Rekoss Disc** and features a 74 single step design on a non-continuous wheel avoiding extreme diopter jumps.
 - + in 1 D steps: +1 through +38D
 - in 1 D steps: -1 through -36D
- ⚡ **Patented, unique, stepless dimming** from 3% to 100% with practical one-finger operation.
- ⚡ **No stray light due to the recessed, multi-coated viewing window** – eliminates distractions.
- ⚡ **Precise one-hand control of the instrument.** Ergonomic design offers flexibility while examining.
- ⚡ **Suitable for large as well as small or undilated pupils.**
- ⚡ **Ergonomic design** fits the orbita comfortably, and blocks out ambient light.
- ⚡ **Full functionality of the BETA 200S LED is guaranteed with BETA Rechargeable Handles and the EN 200 / EN 200-1 Wall Transformers.**

BETA 200S with 7 apertures



Cobalt blue filter, fixation star with polar coordinates, large spot, small spot, pinhole, slit, hemispot



With red-free filter

- ⚡ **Also available with XHL Xenon Halogen illumination.** Bright illumination and authentic colour rendering; for other technical specifications see BETA 200S LED Ophthalmoscope.



HEINE BETA 200S Diagnostic Sets/Kits

With XHL or LED^{HQ} illumination



Set includes: BETA 200S Ophthalmoscope,
1 spare bulb for XHL version, hard case.

	2.5V XHL	3.5V XHL	LED
BETA battery handle	C-261.10.118		
★ BETA4 USB rechargeable handle with USB cord and plug-in power supply		C-261.27.388	C-261.28.388
BETA4 NT rechargeable handle with NT4 table charger		C-261.23.420	C-261.24.420



Without case

NEW!

BETA 200S Ophthalmoscope with	2.5V XHL	3.5V XHL	LED
BETA battery handle	C-010.10.118		
BETA4 USB rechargeable handle with USB cord and plug-in power supply		C-010.27.388	C-010.28.388

Set includes: BETA 200S Ophthalmoscope, BETA 200 Streak Retinoscope,
1 spare bulb for XHL version, hard case.



	2.5V XHL	3.5V XHL	LED
BETA battery handle	C-262.10.118		
BETA4 USB rechargeable handle with USB cord and plug-in power supply		C-262.27.388	C-262.28.388
BETA4 NT rechargeable handle with NT4 table charger		C-262.23.420	C-262.24.420

∴ For further information on the HEINE BETA 200 Retinoscope, please see page 053.



HEINE BETA® 200 LED Ophthalmoscope

Superior aspherical optics with LED^{HQ} illumination



The ophthalmoscope with unique aspherical optics and all features of the BETA 200S LED, but:



- Without macula aperture (pinhole)
- The BETA 200 Ophthalmoscope accommodates higher refractive errors with a 27 single lenses Rekoss Disc.

+ in 1 D steps: 1 – 10	15	20	40	D
- in 1 D steps: 1 – 10	15	20	25	35 D

- Full functionality of the BETA 200S LED is guaranteed with BETA Rechargeable Handles and the EN 200 / EN 200-1 Wall Transformers.

- Also available with XHL Xenon Halogen illumination. Bright illumination and authentic colour rendering; for other technical specifications see BETA 200 LED Ophthalmoscope.

BETA 200 with 6 apertures



Slit, fixation star with polar coordinates, cobalt blue filter, large spot, small spot, hemispot



With red-free filter

HEINE BETA 200 Ophthalmoscope Sets/Kits

With XHL or LED^{HQ} illumination



Set includes: BETA 200 Ophthalmoscope,
1 spare bulb for XHL version, hard case.

	2.5V XHL	3.5V XHL	LED
BETA battery handle	C-144.10.118*		
★ BETA4 USB rechargeable handle with USB cord and plug-in power supply		C-144.27.388	C-144.28.388
BETA4 NT rechargeable handle with NT4 table charger		C-144.23.420	C-144.24.420

* Available with large battery handle X-001.99.120 (doesn't fit into hard cases). Please specify with your order.

NEW!



Without case

BETA 200 Ophthalmoscope with	2.5V XHL	3.5V XHL	LED
BETA battery handle	C-011.10.118		
BETA4 USB rechargeable handle with USB cord and plug-in power supply		C-011.27.388	C-011.28.388



HEINE BETA 200 Diagnostic Sets/Kits

With XHL or LED^{HQ} illumination



Set includes: BETA 200 Ophthalmoscope, BETA 200 Streak Retinoscope, 1 spare bulb for XHL version, hard case.

	2.5V XHL	3.5V XHL	LED
BETA battery handle	C-145.10.118		
BETA4 USB rechargeable handle with USB cord and plug-in power supply		C-145.27.388	C-145.28.388
BETA4 NT rechargeable handle with NT4 table charger		C-145.23.420	C-145.24.420

∴ For further information on the HEINE BETA 200 Retinoscope, please see page 053.



Set includes: BETA 200 Ophthalmoscope, BETA 400 F.O. Otoscope, 1 set (4 pcs.) of reusable tips, 5 of both AllSpec disposable tips 2.5 and 4 mm Ø, one spare bulb each for XHL version, hard case.

	2.5V XHL	3.5V XHL	LED
BETA battery handle	A-153.10.118		
BETA4 USB rechargeable handle with USB cord and plug-in power supply		A-153.27.388	A-153.28.388

Also available as a kit with EN 200 Wall Transformer (page 145)



Without case

Kit includes: BETA 200 Ophthalmoscope, BETA 400 F.O. Otoscope, 1 set (4 pcs.) of reusable tips, 5 of both AllSpec disposable tips 2.5 and 4 mm Ø, one spare bulb each for XHL version.

	3.5V XHL	LED
2x BETA4 NT rechargeable handle with NT4 table charger	A-153.23.422	A-153.24.422

∴ For further information on the HEINE BETA 400 F.O. Otoscope, please see page 011.

HEINE BETA 200 Diagnostic Sets/Kits

With XHL or LED^{HO} illumination



Set includes: BETA 200 Ophthalmoscope, BETA 200 F.O. Otoscope,
1 set (4 pcs.) of reusable tips, 5 of both AllSpec disposable tips 2.5 and 4 mm Ø,
one spare bulb each for XHL version, hard case.

	2.5V XHL	3.5V XHL	LED
BETA battery handle	A-132.10.118		
BETA4 USB rechargeable handle with USB cord and plug-in power supply		A-132.27.388	A-132.28.388



Without case

Also available as a kit with EN 200 Wall Transformer (page 145)

Kit includes: BETA 200 Ophthalmoscope, BETA 200 F.O. Otoscope,
1 set (4 pcs.) of reusable tips, 5 of both AllSpec disposable tips 2.5 and 4 mm Ø,
one spare bulb each for XHL version, hard case.

	3.5V XHL	LED
2x BETA4 NT rechargeable handle with NT4 table charger	A-132.23.422	A-132.24.422

∴ For further information on the HEINE BETA 200 F.O. Otoscope, please see page 013.



Set includes: BETA 200 Ophthalmoscope (XHL or LED), BETA 100 Diagnostic Otoscope (XHL),
1 set (6 pcs.) of reusable specula, 10 UniSpec disposable specula, 4 mm dia.,
one spare bulb each for XHL version, hard case.

	2.5V XHL	3.5V XHL	3.5V XHL/LED*
BETA battery handle	A-234.10.118		
BETA4 USB rechargeable handle with USB Cord and plug-in power supply		A-234.27.388	A-234.25.388
BETA4 NT rechargeable handle with NT4 table charger		A-234.23.420	A-234.25.420

*BETA 100 Otoscope with XHL illumination and BETA 200 LED Ophthalmoscope with LED illumination.

∴ For further information on the HEINE BETA 100 Diagnostic Otoscope, please see page 020.



HEINE K180 Ophthalmoscope

Standard direct ophthalmoscope



A full-featured instrument at an economical price.

- ∴ **Precision spherical HEINE optics.** Corneal and iris reflexes are eliminated.
- ∴ **XHL Xenon Halogen Technology.** Bright, white light. Clear retinal image.
- ∴ **Range of lenses: 27 lenses from -35D to +40D.** Brilliant image even at high corrections.

+ in 1 D steps:	1 – 10	15	20	40	D
- in 1 D steps:	1 – 10	15	20	25	35 D

- ∴ **Ergonomical shape.** The instrument fits the orbita comfortably.
- ∴ **Soft orbital rest.** Steadies the instrument and protects your glasses.
- ∴ **Choice of 5 apertures.** For both large and small pupils. Choice of fixation star or cobalt blue filter for corneal examination.
- ∴ **Dust resistant housing.** Maintenance-free.
- ∴ **High-impact polycarbonate housing for durability.**

K180 apertures



Aperture wheel 1:
Slit, red-free filter, fixation star with polar coordinates, large spot, small spot



Aperture wheel 2:
Slit, red-free filter, cobalt blue filter, large spot, small spot

HEINE K180 Ophthalmoscope Sets

Set includes: K180 Ophthalmoscope with aperture wheel 1, soft pouch.



	2.5V XHL	3.5V XHL
BETA battery handle	C-182.10.118	
★ BETA4 USB rechargeable handle with USB cord and plug-in power supply		C-182.27.388
BETA4 NT rechargeable handle with NT4 table charger		C-182.23.420

NEW! Set includes: K180 Ophthalmoscope with aperture wheel 2, soft pouch.



	2.5V XHL	3.5V XHL
BETA battery handle	C-183.10.118	
BETA4 USB rechargeable handle with USB cord and plug-in power supply		C-183.27.388
BETA4 NT rechargeable handle with NT4 table charger		C-183.23.420



HEINE K180 Diagnostic Sets



Set includes: K180 Ophthalmoscope in standard version with aperture wheel 1, **K180 F.O. Otoscope**, 1 set (4 pcs.) of reusable tips, hard case.

	2.5V XHL	3.5V XHL
BETA battery handle	A-279.10.118	
BETA4 USB rechargeable handle with USB cord and plug-in power supply		A-279.27.388
BETA4 NT rechargeable handle with NT4 table charger		A-279.23.420

∴ For further information on the HEINE K180 F.O. Otoscope, please see page 015.

HEINE mini 3000® Ophthalmoscope

Compact pocket ophthalmoscope with XHL or LED^{HQ} illumination


LED NOW IN HEINE QUALITY.



mini 3000 apertures



Fixation star, large spot, small spot,
hemispot, red-free filter

Modern pocket ophthalmoscope with concentrated bright light for perfect illumination, a brilliant image and accurate colour rendering. Fixation star aperture with grey filter for reducing the light intensity. Excellent optics and best colour rendering in minimum dimensions, ideal for rounds and house calls. Can be used with the mini 3000 handle system. Available in black and blue.

Features for both instruments (XHL and LED):

- ∴ HEINE optics produce crisp, clear images of the whole area under examination and minimise reflections.
- ∴ **5 different apertures.** A full-function instrument incl. fixation star.
- ∴ Grey filter for light-sensitive patients.
- ∴ **Range of lenses: 18 lenses from -20 D to +20 D.**

+	1	2	3	4	6	8	10	15	20D
-	1	2	3	4	6	8	10	15	20D
- ∴ **Easy workflow,** because ophthalmoscopy is possible without dilation of the pupils.
- ∴ **Attachment clip with integrated on/off switch.** Switches off automatically when returned to the pocket.
- ∴ **Replaceable batteries.** Size AA, or optional rechargeable battery with mini NT table charger.*
- ∴ **2-piece handle and head.** Easy to maintain, flexible.
- ∴ **Award-winning design.** Maximum quality with minimum dimensions.

Special features of the LED instruments:

- ∴ **Maintenance-free,** no need to ever replace the LED.
- ∴ LED Thermal management for a **consistent light output throughout the whole working life.**
- ∴ **There's LED. And there's LED^{HQ}.** HEINE has set a new standard which maintains that only the best is good enough, from the selection of materials to processing, from light intensity and thermal management to a colour rendering index as high as possible. **That's what we call LED in HEINE Quality – or LED^{HQ}.**
- ∴ **Exclusive Battery Performance Indicator:** When the instrument is switched on, the maximum light intensity is shown, then the light intensity is regulated down to the level that corresponds to the current charge status of the battery so you know when your batteries need changing.
- ∴ **Fade-Out Feature:** brightness reduces slowly even with low residual capacity, for even more efficient use of dry or rechargeable batteries.
- ∴ **Operation time typ. 10 hours.** The batteries need to be changed less often and the rechargeable batteries last longer.



*To upgrade to a rechargeable instrument with mini NT table charger, please see page 148.



HEINE mini 3000 pocket instruments – a complete range of quality diagnostic instruments for your pocket. Available in black or blue. Please specify the colour you prefer when ordering. If not otherwise specified, we will supply black instruments.

HEINE mini 3000 Diagnostic Sets/Kits



Set includes: mini 3000 Ophthalmoscope, hard case.

	2.5V XHL	2.5V LED
mini 3000 battery handle with batteries	D-852.10.021	D-885.21.021



Without case

mini 3000 Ophthalmoscope with	2.5V XHL	2.5V LED
★ mini 3000 battery handle with batteries	D-001.71.120	D-008.71.120
mini 3000 rechargeable handle (please order mini NT table charger separately)	D-001.71.200	D-008.71.200



[01]

Set/Kit includes: mini 3000 Ophthalmoscope, mini 3000 F.O. Otoscope,
1 set (4 pcs.) of reusable tips, 5 of both AllSpec disposable tips 2.5 and 4 mm Ø.

	2.5V XHL	2.5V LED
2 mini 3000 battery handles with batteries with hard case [01]	D-873.11.021	D-886.11.021
2 mini 3000 rechargeable handles and mini NT table charger, without case [02]	D-859.11.022*	D-860.11.022*

* with this Art. No. only available in black



[02]

Without case

∴ For further information on the HEINE mini 3000 F.O. Otoscope, please see page 016.



[03]

Set includes: mini 3000 Ophthalmoscope, mini 3000 Otoscope,
1 set (4 pcs.) of reusable tips, 5 of both AllSpec disposable tips 2.5 and 4 mm Ø.

	2.5V XHL
2 mini 3000 battery handles with batteries with hard case [03]	D-873.21.021

∴ For further information on the HEINE mini 3000 Otoscope, please see page 023.



Further articles / Accessories

HEINE Ophthalmoscopes



BETA 200S Ophthalmoscope Head	2.5V XHL	3.5V XHL	LED
without handle and without accessories	C-001.30.120	C-002.30.120	C-008.30.120



BETA 200 Ophthalmoscope Head	2.5V XHL	3.5V XHL	LED
without handle and without accessories	C-001.30.100	C-002.30.100	C-008.30.100



BETA 200 M2 Ophthalmoscope Head	2.5V XHL	3.5V XHL
without handle and without accessories Like BETA 200, except with pinhole instead of small spot and with fixation star aperture without polar coordinates	C-001.30.102	C-002.30.102



K180 Ophthalmoscope Head	2.5V XHL	3.5V XHL
with aperture wheel 1, without handle and without accessories	C-001.30.206	C-002.30.206
with aperture wheel 2, without handle and without accessories	C-001.30.207	C-002.30.207



mini 3000 Ophthalmoscope Head	2.5V XHL	2.5V LED
without handle and without accessories *	D-001.71.105	D-008.71.105

*Available in black and blue. Please specify the colour you prefer when ordering. If not otherwise specified, we will supply black instruments.



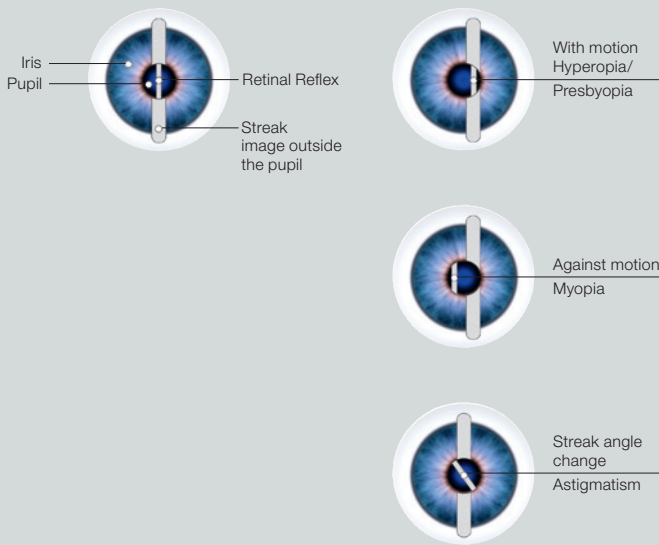
Spare bulb for BETA 200S, BETA 200 and BETA 200 M2	2.5V XHL	3.5V XHL
XHL Xenon Halogen spare bulb	X-001.88.069	X-002.88.070



Spare bulb for K180	2.5V XHL	3.5V XHL
XHL Xenon Halogen spare bulb	X-001.88.084	X-002.88.086



Spare bulb for mini 3000	2.5V XHL
XHL Xenon Halogen spare bulb	X-001.88.106



Hand-held retinoscopes for objective refraction.

The BETA 200 Retinoscope is used for the exact measurement of the refractive error. Both myopia and hyperopia as well as astigmatism can be measured.

Two versions are available:

The Spot Retinoscope with a round light spot (available only as XHL variant) and the more widely-used Streak Retinoscope with a streak image which simplifies the examination.

***HEINE ParaStop**

The BETA 200 Retinoscope with ParaStop features the latest multi-coated optics for an exceptionally bright fundus reflex and easier detection of the neutralisation point. ParaStop was developed by HEINE for the easy, precise selection of a parallel illumination beam. ParaStop simplifies and speeds up the precise detection of cylinder axis. ParaStop also simplifies the verification of the cylinder correction after refraction.

HEINE BETA® 200 LED Retinoscope with HEINE ParaStop®

With LED illumination in HEINE Quality – LED^{HQ}



Homogenous LED illumination for precise streak image quality offers an easy and quick observation of the fundus reflex.



- ∴ ParaStop. Precise, easy selection of a parallel beam* (see above).
- ∴ **Brilliant, precise streak image** with a line width of typically 1.1 mm (ISO 12865 Standard < 1.5 mm) and a line length of 35 mm for a very bright, readily visible fundus reflex.
- ∴ **There's LED. And there's LED^{HQ}.** HEINE has set a new standard which maintains that only the best is good enough, from the selection of materials to processing, from light intensity to dimmability, and from thermal management to a colour rendering index as high as possible. **That's what we call LED in HEINE Quality – or LED^{HQ}.**
- ∴ **Patented, unique, stepless dimming** from 3% to 100% with practical one-finger operation.
- ∴ **Ergonomic shape.** Protects the examiner's orbita from stray light.
- ∴ **Metal controls.** Long-lasting.
- ∴ **Single control for vergence and rotation.** Comfortable operation.
- ∴ **Maintenance-free.** Dustproof. LED with virtually unlimited hours of working life.
- ∴ **Integrated polarisation filter.** Eliminates stray light and internal reflexes for a brighter fundus reflex.
- ∴ **Detachable brow rest.** Increased comfort and control during examination.
- ∴ **Holder for fixation cards (optional).** For dynamic retinoscopy.
- ∴ **Full functionality of the BETA 200 LED is guaranteed with BETA Rechargeable Handles and the EN 200 / EN 200-1 Wall Transformers.**

- ∴ **Also available with XHL Xenon Halogen illumination.** Bright illumination and authentic colour rendering; for other technical specifications see BETA 200 LED Retinoscope.



HEINE BETA 200 Diagnostic Sets/Kits



Set includes: BETA 200 Streak Retinoscope,
1 spare bulb for XHL version, hard case.

	2.5V XHL	3.5V XHL	LED
BETA battery handle	C-034.10.118*		
★ BETA4 USB rechargeable handle with USB cord and plug-in power supply		C-034.27.388	C-034.28.388
BETA4 NT rechargeable handle with NT4 table charger		C-034.23.420	C-034.24.420

* Also available with large battery handle **X-001.99.120** (doesn't fit into hard cases). Please specify with your order.



Without case

NEW!

BETA 200 Streak Retinoscope with	2.5V XHL	3.5V XHL	LED
BETA battery handle	C-014.10.118		
BETA4 USB rechargeable handle with USB cord and plug-in power supply		C-014.27.388	C-014.28.388



Set includes: BETA 200 Streak Retinoscope, BETA 200S Ophthalmoscope,
1 spare bulb for each instrument for XHL version, hard case.

	2.5V XHL	3.5V XHL	LED
BETA battery handle	C-262.10.118		
BETA4 USB rechargeable handle with USB cord and plug-in power supply		C-262.27.388	C-262.28.388
BETA4 NT rechargeable handle with NT4 table charger		C-262.23.420	C-262.24.420

∴ For further information on the HEINE BETA 200S Ophthalmoscope, please see page 043.



Set includes: BETA 200 Streak Retinoscope, BETA 200 Ophthalmoscope,
1 spare bulb for each instrument for XHL version, hard case.

	2.5V XHL	3.5V XHL	LED
BETA battery handle	C-145.10.118		
BETA4 USB rechargeable handle with USB cord and plug-in power supply		C-145.27.388	C-145.28.388
BETA4 NT rechargeable handle with NT4 table charger		C-145.23.420	C-145.24.420

∴ For further information on the HEINE BETA 200 Ophthalmoscope, please see page 045.

HEINE HSL 150 Hand-held Slit Lamp

For the examination of the anterior segment



Compact and lightweight, the portable HSL 150 is ideal for situations where a full-size slit lamp is not available or convenient. For the examination of the anterior segment in Human- and Veterinary medicine.

- ∴ **Slit size adjustable** from 0.2 mm x 10 mm to 4 mm x 14 mm.
- ∴ **6x magnification.**
- ∴ **Blue interference filter (FITC)**, can be selected for corneal examination.
- ∴ **Multi-coated optics for maximum light transmission.**
- ∴ **2.5V or 3.5V XHL Xenon Halogen Technology** for bright, white light comparable with the brightness of a classic slit lamp.
- ∴ **The HSL 150 instrument head weighs just 70g**, the lightest slit lamp of its kind.

HEINE HSL 150 Hand-held Slit Lamp Sets



Set includes: HSL 150 Hand-held Slit Lamp, soft pouch.



	2.5V XHL
BETA SLIM battery handle	C-252.10.105



Set includes: HSL 150 Hand-held Slit Lamp, spare bulb, hard case.

	3.5V XHL
BETA4 SLIM NT rechargeable handle and NT4 table charger*	C-266.20.471

*NT4 table charger incl. reducer insert



HEINE LAMBDA 100 Retinometer

For assessing potential visual acuity



The LAMBDA 100 Retinometer is the first compact instrument for assessing potential visual acuity of patients with cataracts and other opacities. LAMBDA 100 – clinically tested with excellent results.*

- ∴ **Simple, easy-to-use controls.** Reliable diagnosis, easy to operate.
- ∴ **Compact, lightweight (100g).** Can be used anywhere – even bedside.
- ∴ **XHL Xenon Halogen Technology and brightness control.** Avoids patients discomfort from dazzle.

Three simple steps for assessing potential visual acuity with LAMBDA 100

1. Switch on instrument, select acuity, adjust pattern of lines, reduce ambient lighting.
2. Rest Retinometer against the patient's forehead. Scan the pupil with the red light spot to find a "window" through which the patient can recognise the pattern of lines.
3. Select progressively finer lines with different angles until the patient can no longer recognise the angle. The value of the last recognisable angle indicates potential acuity.



0°
Visus = 0,5 $\left(\frac{20}{40}\right)$



45°
Visus = 0,32 $\left(\frac{20}{60}\right)$



90°
Visus = 0,06 $\left(\frac{20}{300}\right)$

LAMBDA 100 Examples of various acuity grating patterns (visual angle 1°)

* Validated by the study "Accuracy of the HEINE LAMBDA 100 Retinometer" in Investigative Ophthalmology & Visual Science, May 2008, Vol. 49, Southern College of Optometry, Memphis, Tennessee and the study "Reliability of predictable postoperative visual acuity of cataracts as measured by HEINE LAMBDA 100 retinometer preoperatively" by the Departamento de Oftalmologia, May – June 2010, São Paulo, Brasil.

HEINE LAMBDA 100 Retinometer Kits

Kit includes: LAMBDA 100 Retinometer,

1 Patient card, BETA4 USB rechargeable handle with USB cord and plug-in power supply, spare bulb.



Without case



	3.5V XHL
Kit 1: acuity scale 20/300 to 20/25 (scale 2)	C-037.27.388
Kit 2: decimal scale 0.06 to 0.8 (scale 1)	C-038.27.388

HEINE Ophthalmic Examination Lamp

For examination of the anterior segment and cornea in focal light



- ∴ **Small and light. Ideal for house calls and rounds.**
- ∴ **5 different apertures.** Helps detect erosion, edema and foreign bodies on the cornea.
- ∴ **Apertures focused at 100 mm working distance.**

Aperture combination



Slit, three different spots, cobalt blue filter for fluorescence examination

HEINE Ophthalmic Examination Lamp Kits



Without case

[01]

NEW!

Ophthalmic Examination Lamp with	2.5V XHL	3.5V XHL
BETA battery handle	C-018.10.118	
★ BETA4 USB rechargeable handle with USB cord and plug-in power supply [01]		C-018.27.388
BETA4 NT rechargeable handle (without NT4 table charger)		C-018.23.396

HEINE Finoff Transilluminator

For scleral transillumination

∴ **Detachable Cobalt blue filter.** Suitable for fluorescence examinations.

NEW!

Finoff Transilluminator with	2.5V XHL	3.5V XHL
BETA battery handle [01]	C-019.10.118	
★ BETA4 USB rechargeable handle with USB cord and plug-in power supply [02]		C-019.27.388
BETA4 NT rechargeable handle (without NT4 table charger)		C-019.23.396



[01]



[02]

Without case

HEINE iC2 Funduscope

Mobile, digital ophthalmoscopy

LED^{HQ}
LED NOW IN HEINE QUALITY.



HEINE iC2
Application film



HEINE iC2 App

- ∴ **Always with you wherever you are.** With a weight of just 300g, practical dimensions and cable-free operation, it's ideal for examining children as well as bedridden, injured and disabled patients.
- ∴ **Comfortable for both the doctor and patient.** In addition to the conveniently longer working distance for both sides, full adjustment of LED brightness is particularly pleasant for the patient. Needless to say, it corresponds to the highest international standard for photobiological safety.
- ∴ **Continuous dioptre compensation.** Adjustable from +15 to -15 dioptres, complemented by autofocus with +/-3 dioptres.
- ∴ **High-quality fundus images:** Optical precision lens system with 4 aspherical high-performance lenses. Convenient documentation of completed examinations. Excellent imaging quality at up to 12 MP**.
- ∴ **Field of view up to 34°.** The angle of view is therefore approximately four times as big as that of conventional direct ophthalmoscopes with 9°.
- ∴ **Straightforward scanning of the periphery,** simply by tilting the iC2 back and forth.
- ∴ **There's LED. And there's LED^{HQ}.** HEINE has set a new standard which maintains that only the best is good enough, from the selection of materials to processing, from light intensity and thermal management to a colour rendering index as high as possible. **That's what we call LED in HEINE Quality – or LED^{HQ}.**
- ∴ **Set it down and charge in one step.** The iC2 Charger is the world's first inductive charging station to receive approval for a medical product. Say goodbye to charging cables!
- ∴ **A film says more than a thousand words.** A brief film shows you just how practical, simple and fast fundus photography can be. Scan this QR code or go to www.heine.com/video/heine_ic2_en_gb/.
- ∴ **See for yourself what the iC2 app is capable of:** intuitive localisation of images, continuous magnification, storage of additional patient data, documentation of the current situation and, most notably, provision of images via email.

HEINE iC2 Funduscope Sets



iC2 Charger Set/7 for iPhone 7 and 8	LED
iC2 with mounting case smartphone iC2/7 for Apple iPhone 7 and 8*, iC2 Charger, USB cord with E4-USB medical approved plug-in power supply and case	C-152.40.211
iC2 Charger Set/6 for iPhone 6/6s	LED
See above, but with mounting case smartphone iC2/6 for Apple iPhone 6/6s*	C-151.40.211
iC2 Charger Set/5 for iPhone 5s and SE	LED
See above, but with mounting case smartphone iC2/5 for Apple iPhone 5s and SE*	C-150.40.211

* The Apple iPhone is not included in the scope of delivery. Apple, the Apple logo and iPhone are trademarks of Apple Inc., registered in the U.S. and other countries. App Store is a service mark of Apple Inc.

** With iPhone from Version 6s





Further articles / Accessories

HEINE ophthalmic instruments



BETA 200 Retinoscope Head	2.5V XHL	3.5V XHL	LED
without handle	C-001.15.353	C-002.15.353	C-008.15.353

Fixation cards for BETA 200 Retinoscope

Fixation cards with holder for dynamic retinoscopy, without instrument	C-000.15.360		
--	--------------	--	--



Orange filter for BETA 200 Retinoscope with XHL illumination	
Orange filter for the bulb, for light-sensitive patients	C-000.15.359



Spare bulb for BETA 200 Retinoscope	2.5V XHL	3.5V XHL
XHL Xenon Halogen spare bulb	X-001.88.087	X-002.88.089
XHL Xenon Halogen spare bulb to convert to Spot Retinoscope	X-001.88.088	X-002.88.090



HSL 150 Hand-held Slit Lamp Head	2.5V XHL	3.5V XHL
without handle	C-001.14.602	C-002.14.602

HSL 10x Loupe Attachment for HSL 150

Loupe attachment with 10x magnification, without instrument	C-000.14.606
---	--------------



Spare bulb for HSL 150 Hand-held Slit Lamp	2.5V XHL	3.5V XHL
XHL Xenon Halogen spare bulb	X-001.88.098	X-002.88.099



LAMBDA100 Retinometer Head	2.5V XHL	3.5V XHL
with acuity scale 20/300 to 20/25 (scale 2), without handle	C-001.35.015	C-002.35.015
with decimal scale 0.06 to 0.8 (scale 1), without handle	C-001.35.010	C-002.35.010



Patient card for LAMBDA 100 Retinometer	
Patient card	C-000.35.005



Spare bulb for LAMBDA100 Retinometer	2.5V XHL	3.5V XHL
XHL Xenon Halogen spare bulb	X-001.88.077	X-002.88.078

Further articles / Accessories

HEINE ophthalmic instruments



Ophthalmic Examination Lamp Head	2.5V XHL	3.5V XHL
without handle	C-001.14.400	C-002.14.400



Spare bulb for Ophthalmic Examination Lamp	2.5V XHL	3.5V XHL
XHL Xenon Halogen spare bulb	X-001.88.032	X-002.88.047



Finoff Transilluminator Head	2.5V XHL	3.5V XHL
Finoff for scleral transillumination, without handle	C-001.17.080	C-002.17.080

Aperture for Finoff Transilluminator		
Aperture with Cobalt blue filter for Finoff Transilluminator [01]	C-000.17.081	



Spare bulb for Finoff Transilluminator	2.5V XHL	3.5V XHL
XHL Xenon Halogen spare bulb	X-001.88.077	X-002.88.078



[01]



[02]

Accessories		
USB cord with E4-USB medical approved plug-in power supply	X-000.99.303	
Mounting case smartphone iC2/7 for Apple iPhone 7/8	C-000.33.152	
Mounting case smartphone iC2/6 for Apple iPhone 6/6s [01]	C-000.33.151	
Mounting case smartphone iC2/5 for Apple iPhone 5s/SE	C-000.33.150	
Case for iC2 [02]	C-150.00.000	



HEINE Indirect Ophthalmoscopes

LED^{HQ}

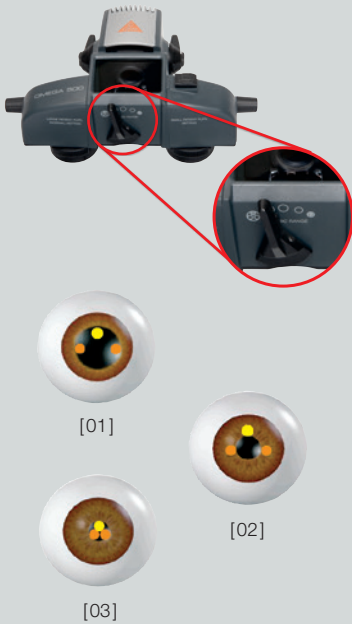


LED^{HQ}



	OMEGA 500	SIGMA 250	SIGMA 250 M2
Convergence and parallax adjustment	Synchronized	Separate	
Apertures			
Integrated filters		Red-free filter is integrated in aperture row	
Illumination	XHL or LED ^{HQ}	LED ^{HQ}	
Wearing options	Professional L Headband	S-FRAME Spectacle Frame	
Further articles	<ul style="list-style-type: none"> • Teaching mirror • Scleral depressor large and small • Ophthalmoscopy lenses • Fundus charts 	<ul style="list-style-type: none"> • Teaching mirror • Blue filter and yellow filter • Diffusor • Scleral depressor large and small • Ophthalmoscopy lenses • Fundus charts 	
Product variants	With integrated camera	-	
Brightness control	On the instrument	On the power source	
Mobile power supply / Operating time	<ul style="list-style-type: none"> • Headband-mounted battery mPack UNPLUGGED / XHL typ. 2 hours, LED typ. 7 hours • mPack / XHL typ. 4 hours, LED typ. 13 hours 	<ul style="list-style-type: none"> • mPack mini / LED typ. 11 hours 	
Stationary power supply	<ul style="list-style-type: none"> • EN 50 Table- or / Wall transformer • Plug-in transformer 	-	
Catalogue page	063 – 067	068 / 069	

Synchronized Convergence and Parallax Adjustment System



The advanced One-Step Small and Variable Pupil Control maximizes stereopsis in dilated pupils and allows for the instant adjustment of the optical system to ensure fully illuminated, stereoscopic views through pupils as small as 1 mm in diameter.

- ✦ **Dilated Pupil.** In the case of a dilated pupil, the HEINE Synchronized Convergence and Parallax Adjustment System adjusts the left and right observation paths as far apart as possible (large angle of convergence) providing for maximum stereopsis (depth perception). The illumination beam is automatically positioned as high as possible relative to the observation plane (creating a large angle of parallax) in order to maximise illumination and minimise unwanted reflections [01].
- ✦ **Undilated Pupils and Viewing in the Periphery.** In cases of pupils that can not, or should not be dilated, a binocular view with full illumination is not possible without adjustments of the optical system [02]. By adjusting the Small and Variable Pupil Control Lever located on the bottom of the OMEGA Series instruments, the angle of convergence between left and right observation paths is reduced and the angle of parallax (light path) is automatically reduced in one, simple step. The observer can now enjoy a fully illuminated, binocular view with excellent stereopsis [03] even through a pupil as small as 1 mm in diameter, or in cases where the pupil appears as an ellipse as a result of viewing the periphery.

HEINE OMEGA® 500 Binocular Indirect Ophthalmoscope

Quality with LED^{HQ} or XHL illumination



With its LED^{HQ} or XHL technology and perfect colour rendering, the OMEGA 500 has set the standard for reliability and performance.



- ✦ **Unique Synchronized Adjustment of Convergence and Parallax** for high quality, stereoscopic fundus images through any pupil size. Precise selection of the observation and illumination optics for small pupils down to 1.0 mm (see above).
- ✦ **Excellent optical performance due to the multi-coated illumination system.** Exact vertical alignment of the illumination with the observation path further minimising the reflections.
- ✦ **Due to the mounting of the optics on an aluminium frame,** the OMEGA 500 is solid, long lasting, and is guaranteed to be dustproof.
- ✦ **The HC 50L Headband Rheostat controls the LED^{HQ} illumination as well as the XHL Xenon-Halogen illumination.**
- ✦ **Apertures and Filters:** Can be “locked” into a desired position.
- ✦ **Adjustment Levers:** Also feature a “Friction-Clutch” (“Safety-Clutch”) to protect mechanisms from forced adjustment while in the “lock” position.
- ✦ **Increased PD Range:** From 46 – 74 mm.
- ✦ **Soft Touch Controls:** All key adjustment controls feature soft touch surfaces for precise and positive adjustment control.

OMEGA 500 apertures



Diffuser HEINE, small spot, medium and large.

OMEGA 500 filters



Red-free, cobalt blue and yellow filters.



Separate fine-tuning of the illumination beam $\pm 4^\circ$ in addition to synchronised convergence and parallax adjustment.



Synchronised adjustment of convergence and parallax.



Aperture settings



Filter settings

HEINE OMEGA® 500 Binocular Indirect Ophthalmoscope

Quality with LED^{HQ} or XHL illumination

LED^{HQ}

LED NOW IN HEINE QUALITY.



LED^{HQ} Technology

- ∴ **There's LED. And there's LED^{HQ}.** HEINE has set a new standard which maintains that only the best is good enough, from the selection of materials to processing, from light intensity to dimmability, and from thermal management to a colour rendering index as high as possible. **That's what we call LED in HEINE Quality – or LED^{HQ}.**
- ∴ **Special optical interface to precisely integrate the LED illumination with the optical system** to ensure bright, homogeneous light throughout the whole working life of the LED – for an accurate diagnosis.
- ∴ With the **Rheostat HC 50L** the light intensity can be precisely adjusted – especially in the range of low light intensities.
- ∴ **Convert your XHL Xenon Halogen OMEGA 500 to LED:** With an upgrade kit the OMEGA 500 can easily and quickly be adapted to the new technology.

Headband



[01]



[02]

- ∴ **Articulating hinge** provides vertical adjustment of the rear band of the headband for individual placement. Secure and perfect fit for all shapes and sizes.
- ∴ **Ergonomic design** for optimal weight transfer across the surface of the entire headband (no pressure points).
- ∴ **Softer, malleable material.** Provides even and comfortable fit of the headband.
- ∴ **Calibrated overband position** ensures optics are in true horizontal position for precise adjustment and alignment.
- ∴ **Integrated cables** in overband eliminates the usual "cable loop" from instrument to headband.
- ∴ **Registered design.**
- ∴ **HC 50L Headband Rheostat:** Easily mounted on the left or right sides of the headband [01].
- ∴ **Integrated flip-up adjustment:** To raise optics out of the line of sight. Can be mounted on the left or right side of the headband. Optics can be flipped and locked at 0°, 12.5°, 47.5°, 60° degrees [02].
- ∴ **Mechanically reinforced adjustment mechanisms:** For durability and precise adjustment of the headband.



HEINE OMEGA 500
Operation film



HEINE OMEGA 500
Accessories film

HEINE OMEGA 500 Sets / Kits



Set includes: OMEGA 500,

HC 50L Headband Rheostat, connecting cord Cinch, 1 scleral depressor large, 1 scleral depressor small, A.R. 20D ophthalmoscopy lens, pad with 50 fundus charts, teaching mirror, in hard case.

	XHL – 6V	LED – 6V
Plug-in transformer for HC 50L Headband Rheostat	C-283.40.320	C-283.41.320
EN 50-m Charger with mPack (incl. 2 m extension cord Cinch-Cinch, 90° angled adaptor, instrument support)	C-283.40.302	
mPack with plug-in transformer (incl. 90° angled adaptor)	C-283.40.670	C-283.41.670

Kit includes: OMEGA 500,

HC 50L Headband Rheostat, connecting cord Cinch.



[01]

	XHL – 6V	LED – 6V
Kit 1: with plug-in transformer for HC50 L	C-004.33.537	C-008.33.531
Kit 2: with EN 50 transformer complete (incl. EN 50 Rheostat Control Module, extension cord Cinch-Cinch 2 m, 90° angled adaptor, instrument support)	C-004.33.538	
Kit 3: with mPack and plug-in transformer (incl. 90° angled adaptor) [01]	C-004.33.539	C-008.33.533



HEINE OMEGA 500 UNPLUGGED

with headband battery mPack UNPLUGGED



100% freedom of movement – no cable connections!
The OMEGA 500 Ophthalmoscope with mPack UNPLUGGED rechargeable battery allows one-of-a-kind mobility without restriction or hindrance caused by cables, cords, or similar connections.

- ∴ **Rechargeable battery integrated on the headband.** No interfering cable connections.
- ∴ **Lightweight with balanced weight distribution.** High level of comfort. Lightweight and compact.
- ∴ **mPack UNPLUGGED rechargeable battery.** Charging time typ. 2 hours. Operating time typ. 8 hours with LED illumination, typ. 2 hours with XHL illumination (with standard lamp 6V, 5W).
- ∴ **Charge Status Indicator.** Indication of remaining operating time.
- ∴ **Can be recharged by wall charger or plug-in transformer.**
- ∴ **Intelligent charging system.** Automatic changeover from operating to charging mode (in the wall unit). Battery-friendly charging.
- ∴ **Direct operation possible while charging** through the use of the mobile plug-in transformer.
- ∴ **Top safety standards.** Integrated charge and performance checks during operation. Lithium polymer technology. UL-compliant.
- ∴ **System compatibility** with mPack for even greater capacity.

HEINE OMEGA 500 UNPLUGGED Set / Kits



Set includes: OMEGA 500 UNPLUGGED,

HC 50L Headband Rheostat, 1 scleral depressor large, 1 scleral depressor small, A.R. 20D ophthalmoscopy lens, pad with 50 fundus charts, teaching mirror, 1 spare bulb in case of XHL illumination, in hard case.

	XHL – 6V	LED – 6V
mPack UNPLUGGED and plug-in transformer UNPLUGGED	C-284.40.670	C-284.41.670



[01]

Kit includes: OMEGA 500 UNPLUGGED, HC 50L Headband Rheostat. Without case.

	XHL – 6V	LED – 6V
★ Kit 5: plug-in transformer UNPLUGGED, 1 x mPack UNPLUGGED	C-004.33.541	C-008.33.535
Kit 6: Wall unit EN 50 UNPLUGGED charger, 2 x mPack UNPLUGGED	C-004.33.542	C-008.33.536
Kit 7: Wall unit EN 50 UNPLUGGED charger, 1 x mPack UNPLUGGED [01]	C-004.33.543	C-008.33.537

HEINE OMEGA 500 with DV1 Digital Video Camera

High-resolution digital imaging of the fundus



HEINE OMEGA 500 with DV1 film

- ✦ **5 MP resolution.** Capable of capturing high-resolution videos or still shots of examinations. No disturbing picture noise due to increased light sensitivity of the camera – also suitable for the examination of premature babies. Perfect for sharing the examiner’s view with a wider audience, educating patients on the diagnosis, recording techniques for presentations, and patient records.
- ✦ **Simple operation.** Digital imaging without any additional adjustments. Simply start recording and the image as seen through the OMEGA 500 will be displayed on the screen.
- ✦ **Comfortable and balanced fit.** The OMEGA 500 headband distributes the low weight of the compact camera and optics perfectly and ensures a comfortable fit.
- ✦ **Integrated focus adjustment.** The high depth of focus combined with an easily accessible focus adjustment, even for the assistant, ensures crisp, in-focus imaging.
- ✦ **Interface and software.** Will plug into any laptop or computer via USB 2.0 interface. Supplied with software program for video recording and image capture.
- ✦ **Cable-free power source system** with mPack UNPLUGGED rechargeable battery.
- ✦ **Integrated camera design.** The integrated camera system ensures precise alignment with the optical system of the Indirect Ophthalmoscope. Robust, dustproof design. No further adjustment of mirrors necessary for digital imaging.

For more information, please refer to www.heine.com/omega500dv1

HEINE OMEGA 500 with DV1 Sets / Kits



Set includes: OMEGA 500 with DV1 Digital Video Camera,
HC 50L Headband Rheostat, USB 2.0 cord, 1 scleral depressor large, 1 scleral depressor small, A.R. 20 D ophthalmoscopy lens, pad with 50 fundus charts, 1 spare bulb if with XHL illumination, in hard case.

	XHL – 6V	LED – 6V
mPack UNPLUGGED and plug-in transformer	C-176.40.670	C-176.41.670



Kit includes: OMEGA 500 with DV1 Digital Video Camera,
HC 50L Headband Rheostat, USB 2.0 cord. Without case.

	XHL – 6V	LED – 6V
mPack with plug-in transformer	C-004.33.560	C-008.33.560
★ mPack UNPLUGGED with plug-in transformer	C-004.33.561	C-008.33.561
2x mPack UNPLUGGED with EN 50 UNPLUGGED	C-004.33.562	C-008.33.562

HEINE SIGMA® 250 Binocular Indirect Ophthalmoscope

Spectacle-mounted Ophthalmoscope – with LED^{HQ} illumination


LED NOW IN HEINE QUALITY.


SIGMA 250 apertures



Large spot, small spot,
red-free filter

SIGMA 250 M2 apertures



Large spot, pinhole,
red-free filter

The spectacle-mounted indirect Ophthalmoscope to suit any pupil size. Two separate controls for selecting the **ideal setting of parallax and convergence guarantee completely illuminated stereo views in pupils up to 2 mm, as well as viewing in the periphery.**

- ∴ **Power Source mPack mini – compact and light power source with USB charging option.** With a weight of just 95 g and dimensions of 44x23x101 mm, this mobile power source is now approx. 70% smaller and lighter than its predecessor. Typ. 11 hours in continuous operation at maximum power.
Please note: The SIGMA 250 is still compatible only with mPack mini.
- ∴ **Extremely light**, 110 g without frame. Light and comfortable.
- ∴ **There's LED. And there's LED^{HQ}.** HEINE has set a new standard which maintains that only the best is good enough, from the selection of materials to processing, from light intensity to dimmability, and from thermal management to a colour rendering index as high as possible. **That's what we call LED in HEINE Quality – or LED^{HQ}.**
- ∴ **Lightweight frame.** High tensile carbon fiber construction is lightweight and has excellent stability.
- ∴ **Illumination beam adjustable $\pm 3^\circ$.** Eliminates reflexes.
- ∴ **Integrated red-free filter.** Improves contrast.
- ∴ **Optional blue and yellow filters.**
- ∴ **Large and small apertures.**
- ∴ **Dust proof.** Maintenance-free.
- ∴ **PD selection from 47 to 72 mm.** Suits any user.
- ∴ **Optics on swivel mount.** Unrestricted view.
- ∴ **Optional clip-in correction frame** for prescription lenses.

Simplified diagram of various beam configurations:
Large pupil – Small pupil – Peripheral view



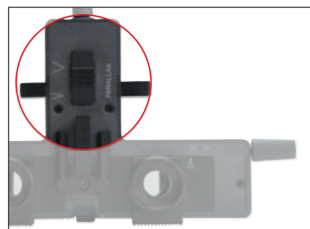
Large pupil



Small pupil



Peripheral view



Parallax adjustment



Convergence adjustment

HEINE SIGMA 250 Sets / Kits



Set includes: SIGMA 250 with S-FRAME Spectacle Frame,
mPack mini with E4-USB plug-in transformer and USB cord, mPack mini Belt Clip, scleral depressor small, scleral depressor large, A.R. 20 D ophthalmoscopy lens, teaching mirror, blue and yellow filters, diffusor, retaining cord, cleaning fluid, case.

	LED
SIGMA 250	C-281.41.671
SIGMA 250 M2 (with micro spot aperture instead of small aperture)	C-279.41.671



Without case

Kit includes: SIGMA 250 with S-FRAME Spectacle Frame,
mPack mini with E4-USB plug-in transformer and USB cord, mPack mini Belt Clip, retaining cord, cleaning fluid.



	LED
SIGMA 250	C-008.33.341
SIGMA 250 M2 (with micro spot aperture instead of small aperture)	C-008.33.346



HEINE Hand-held Indirect Ophthalmoscope, MONOCULAR

Compact monocular ophthalmoscope



An unusually compact instrument, which is recommended for visits and mobile use.

- ∴ **Durable metal construction.** Long working life.
- ∴ **Built-in interference red-free filter.** Improves contrast.
- ∴ **All optical components made of coated optical glass.** Precise images and high light intensity.
- ∴ **Adjustable light beam.** Useful for small pupils.
- ∴ **One hand operation.** All control elements can be easily reached with the thumb.
- ∴ **+ 3 D lens attachment.** An aid to accommodation, magnifies the image.
- ∴ **Add-on binocular attachment available.** Instrument can be up-dated for binocular use.

HEINE Hand-held Indirect Ophthalmoscope, MONOCULAR Kits



[01]

Without case

NEW!

Hand-held Indirect Ophthalmoscope, MONOCULAR with	3.5V XHL
★ BETA4 USB rechargeable handle with USB cord and plug-in power supply	C-020.27.388
BETA4 NT rechargeable handle with NT4 table charger [01]	C-020.23.420



HEINE Hand-held Indirect Ophthalmoscope, BINOCULAR

Compact binocular ophthalmoscope



Adding the binocular attachment to the Hand-held Indirect Ophthalmoscope allows stereoscopic examination. PD selection from 54 to 74mm.

- ∴ **Symmetrical PD selection.** Quick and easy to adjust.
- ∴ **Multi-coated precision optics.** Exceptional image quality.

HEINE Hand-held Indirect Ophthalmoscope, BINOCULAR Kits



[01]

Without case

NEW!

Hand-held Indirect Ophthalmoscope, BINOCULAR with	3.5V XHL
★ BETA4 USB rechargeable handle with USB cord and plug-in power supply	C-021.27.388
BETA4 NT rechargeable handle with NT4 table charger [01]	C-021.23.420

Model Eyes

HEINE Skia/Retinoscope Trainer



This model eye is ideal for teaching and practice. The pupil diameter and refractive error can be set exactly and are therefore reproducible. The front lens compartment holder accepts up to two trial lenses. The cylinder can be read from the graduated scale.

- ∴ **Scale:** 0° – 180° for cylinder determination.
- ∴ **Diameter of pupil variable:** 2, 3, 4, 5, 6, 8mm.
- ∴ **Optics:** Optical glass, achromatic lens, focal length F = 32 mm.
- ∴ **Trainer body made of metal:** Extremely stable and durable.
- ∴ **Angle of examination variable.**

Model Eye

Skia/Retinoscope Trainer

C-000.33.011

Model Eyes

HEINE Ophthalmoscope Trainer



This model eye was developed for the teaching environment. It is the first adjustable model from HEINE to mimic the human eye. Precise, durable and with a multitude of uses, it simplifies the learning process and encourages the student to practice with the ophthalmoscope.

- ∴ **Diameter of pupil.** Variable 2, 3, 4, 5, 6, 8mm.
- ∴ **Aspheric optical glass lens.** Focal length F = 18mm. Lens curvature matches that of the retina.
- ∴ **Trainer body.** Made of metal – extremely stable and durable.
- ∴ **Angle of examination,** variable.

Model Eye

Ophthalmoscope Trainer

C-000.33.010

HEINE A.R. Aspheric Ophthalmoscopy Lenses

With anti-reflex A.R. coating



- ⋮ **Advanced triple multicoating.** Reduced reflection, excellent light transmission.
- ⋮ **Lens curvature matches that of the retina.** Perfect, distortion-free retinal image.
- ⋮ **Large diameter.** Significant increase in field of view without magnification loss.
- ⋮ **Aspheric surfaces.** Reduced distortion of the periphery.

Ophthalmoscopy lens with case

A.R. 16D, 54 mm dia.	C-000.17.225
A.R. 20D, 50 mm dia.	C-000.17.228
A.R. 30D, 46 mm dia.	C-000.17.231

Combi case / Hard case



Combi case respectively hard case for indirect binocular ophthalmoscopes. Features a deep, dense foam insert to protect instruments.

Combi case / Hard case

Combi case [01] for indirect ophthalmology sets C-283 and C-284 (432 mm x 330 mm x 197 mm) (can be worn over the shoulder or as a backpack.)	C-079.03.000
Hard case [02] for indirect ophthalmology sets C-283 and C-284 (470 mm x 400 mm x 190 mm)	C-079.00.000
NEW! Case for SIGMA 250 (270 mm x 270 mm x 150 mm) [03]	C-000.32.553

Accessories for HEINE indirect ophthalmoscopes



Scleral depressor

Scleral depressor, large*	C-000.17.300
Scleral depressor, small*	C-000.17.301

*autoclavable



Fundus charts

Pad with 50 pcs.	C-000.33.208
------------------	--------------



Further articles / Accessories

HEINE indirect ophthalmoscopes



OMEGA 500 Ophthalmoscope	XHL – 6V	LED – 6V
on Headband (without HC 50L Headband Rheostat)	C-004.33.500	
on Headband with HC 50L Headband Rheostat and Connecting Cord Cinch	C-004.33.507	C-008.33.502



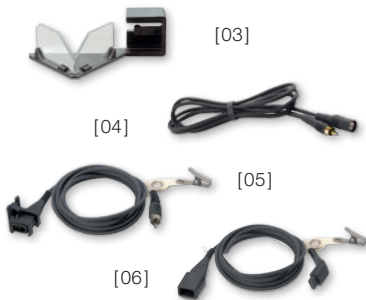
OMEGA 500 Ophthalmoscope with DV1	XHL – 6V	LED – 6V
OMEGA 500 with DV1 and USB 2.0 cord	C-004.33.563	C-008.33.563



Spare bulb for OMEGA 500 Ophthalmoscope	XHL – 6V
XHL Xenon Halogen spare bulb	X-004.88.111



Upgrade-Kits OMEGA 500 LED	LED – 6V
With these kits, a XHL illumination OMEGA 500 can be converted to LED illumination.	
Upgrade-Kit OMEGA 500 with LED module [01] and HC 50L [02]	X-008.16.325
LED module for OMEGA 500 [01]	X-008.87.200



Accessories OMEGA 500 Ophthalmoscope	
HC 50L Headband Rheostat (without plug-in transformer)	X-095.16.325
Plug-in transformer for HC 50L Headband Rheostat	X-095.16.330
Teaching mirror [03]	C-000.33.209
Extension Cord Cinch-Cinch, 2m [04]	C-000.33.510
Connecting Cord Cinch to EN 50 charger/mPack/plug-in transformer for HC 50L, 1.6m [05]	X-000.99.667
Extension cord from plug-in transformer UNPLUGGED to mPack UNPLUGGED, 2m [06]	X-000.99.668
USB 2.0 cord for OMEGA 500 with DV1	X-000.99.206

Further articles / Accessories

HEINE indirect ophthalmoscopes



SIGMA 250 Ophthalmoscope	LED
SIGMA 250 with S-FRAME, retaining cord, cleaning fluid	C-008.33.341
SIGMA 250 M2 (with micro spot aperture instead of small aperture) with S-FRAME, retaining cord, cleaning fluid	C-008.33.346



Accessories SIGMA 250 Ophthalmoscope	
Teaching mirror [01]	C-000.33.302
Blue filter [02]	C-000.33.313
Yellow filter [03]	C-000.33.314
Diffusor [04]	C-000.33.315
Case for filters, empty [05]	C-000.33.316
Clip-in correction frame for prescription lenses [06]	C-000.32.309



Hand-held Indirect Ophthalmoscope, MONOCULAR	3.5V XHL
with +3D lens attachment and orbit rest extension, without handle	C-002.33.001

Accessories Hand-held Indirect Ophthalmoscope, MONOCULAR	
+3D lens attachment only [01]	C-000.33.101
Orbit rest extension, for spectacle wearers only	C-000.33.104



Hand-held Indirect Ophthalmoscope, BINOCULAR	3.5V XHL
with +3D lens attachment and orbit rest extension, without handle	C-002.33.002

Accessories Hand-held Indirect Ophthalmoscope, BINOCULAR	
Binocular attachment only [02]	C-000.33.106



Spare bulb for Hand-held Indirect Ophthalmoscope MONOCULAR and BINOCULAR	3.5V XHL
XHL Xenon Halogen spare bulb	X-002.88.078

